

Bianca –
for demanding
applications and
maximum safety.

PTFE-lined
butterfly valve





Extremely versatile, always reliable.



Bianca is the centric PTFE-lined butterfly valve for corrosive fluids and high-purity applications, available in the sizes DN 32 to DN 900.

Designed and manufactured for over 20 years in Switzerland, Bianca is built for long-lasting use in highly demanding media and environments.

In order to cover the requirements of various industries, Bianca is avail-

able with a ductile iron and stainless steel body. Thanks to the range of conductive disc and liner materials, it can even be used in explosive environments.

The high availability of semi-finished components enables short delivery times, even on large sizes up to DN 900.

Superior technical features for outstanding performance

ISO top flange for modular actuator mounting

Stainless steel valve label according to EN 19 for full traceability

Reliable shaft sealing system

thanks to

- Safety shaft sealing
- High liner collar
- Shaft PFA overmoulded

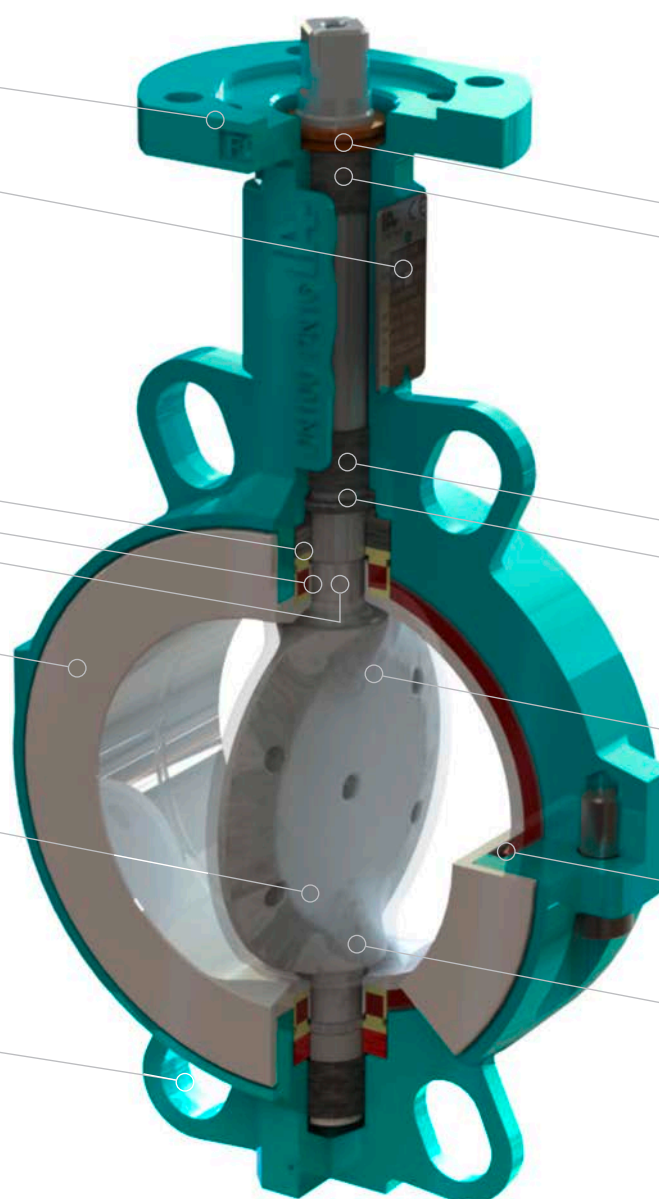
Increased service life

thanks to the chambered liner, which prevents cold flow at the flange sealing surface

Total diffusion resistance

thanks to PFA disc overmoulding of min. 3 mm

Centring holes covering multiple flange connections



External shaft sealing to protect the valve neck hole

High-performance self-lubricating and maintenance-free bushing

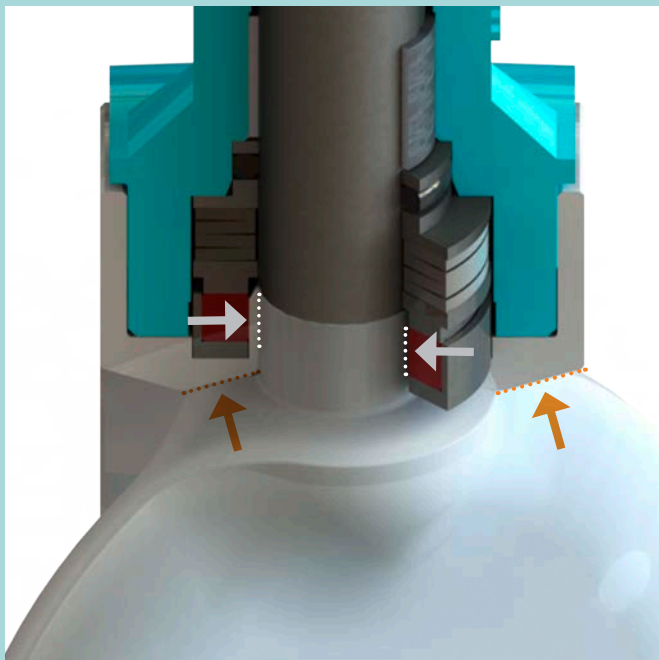
Optional TA-Luft packing

Low friction and extended service life thanks to PTFE liner in combination with PFA-overmoulded disc

Minimum deformation of the liner due to the elastomer backliner embedded in the body

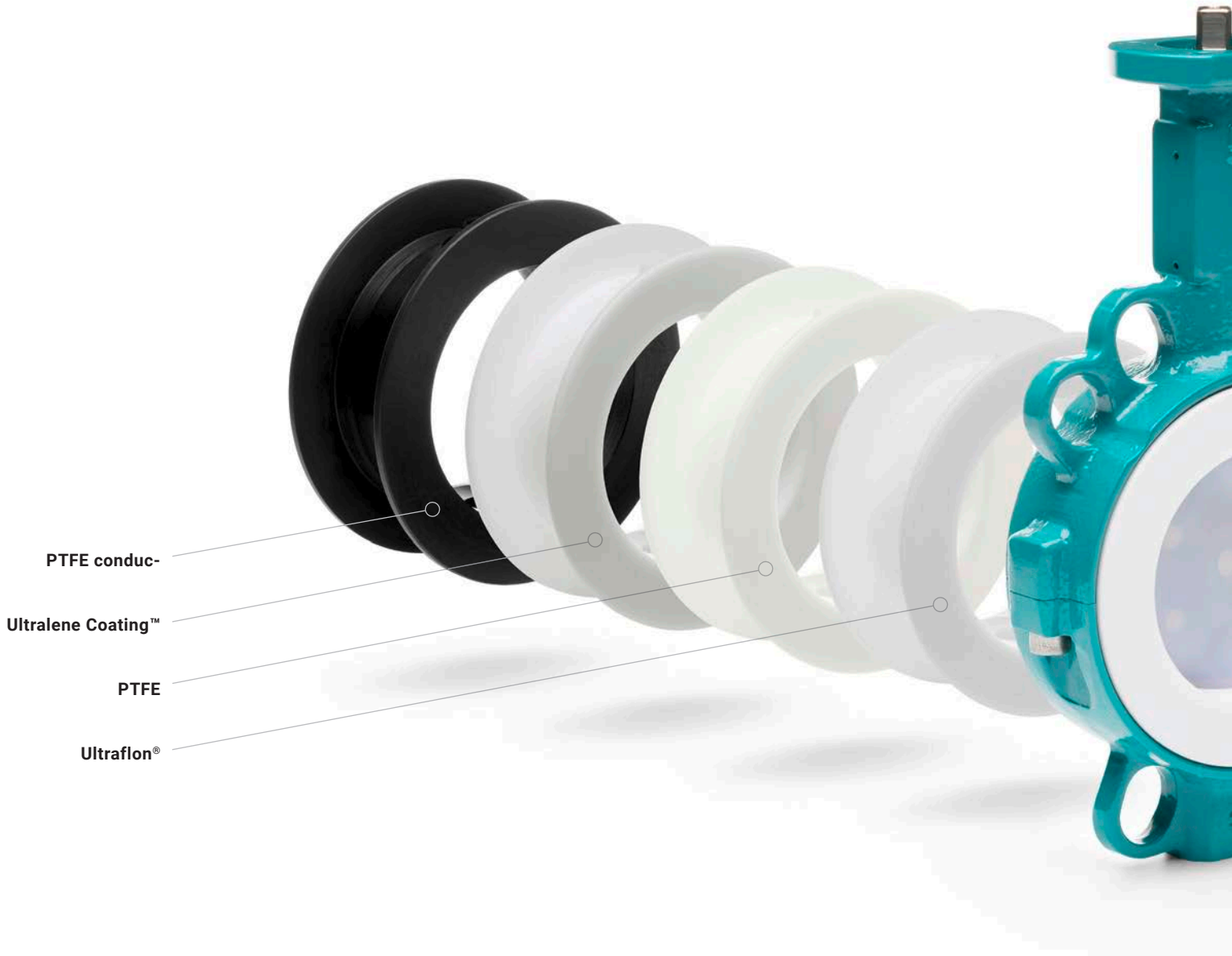
Blow-out proof shaft and excellent Kv values based on the one piece disc/shaft

The high liner collar, the PFA disc overmoulding on the shaft as well as a lifetime preloaded safety shaft sealing guarantee both excellent primary and long-lasting secondary shaft sealing, even for greater operating cycles and at high temperatures.



- Primary sealing
- Secondary sealing

For every application, the right combination of materials.



PTFE conduc-

Ultralene Coating™

PTFE

Ultraflon®

Ranging from mirror-polished stainless steel discs with high-purity Ultraflon® liners for pharmaceutical applications to PFA-coated discs with PTFE liners for the highly corrosive

chemical industry - the Bianca butterfly valve can be individually configured for a wide range of applications. High quality and safe and reliable operation are always paramount.



**Stainless steel / Hastelloy /
Super Duplex**

**Stainless steel / Hastelloy /
Super Duplex polished Ra 0.8**

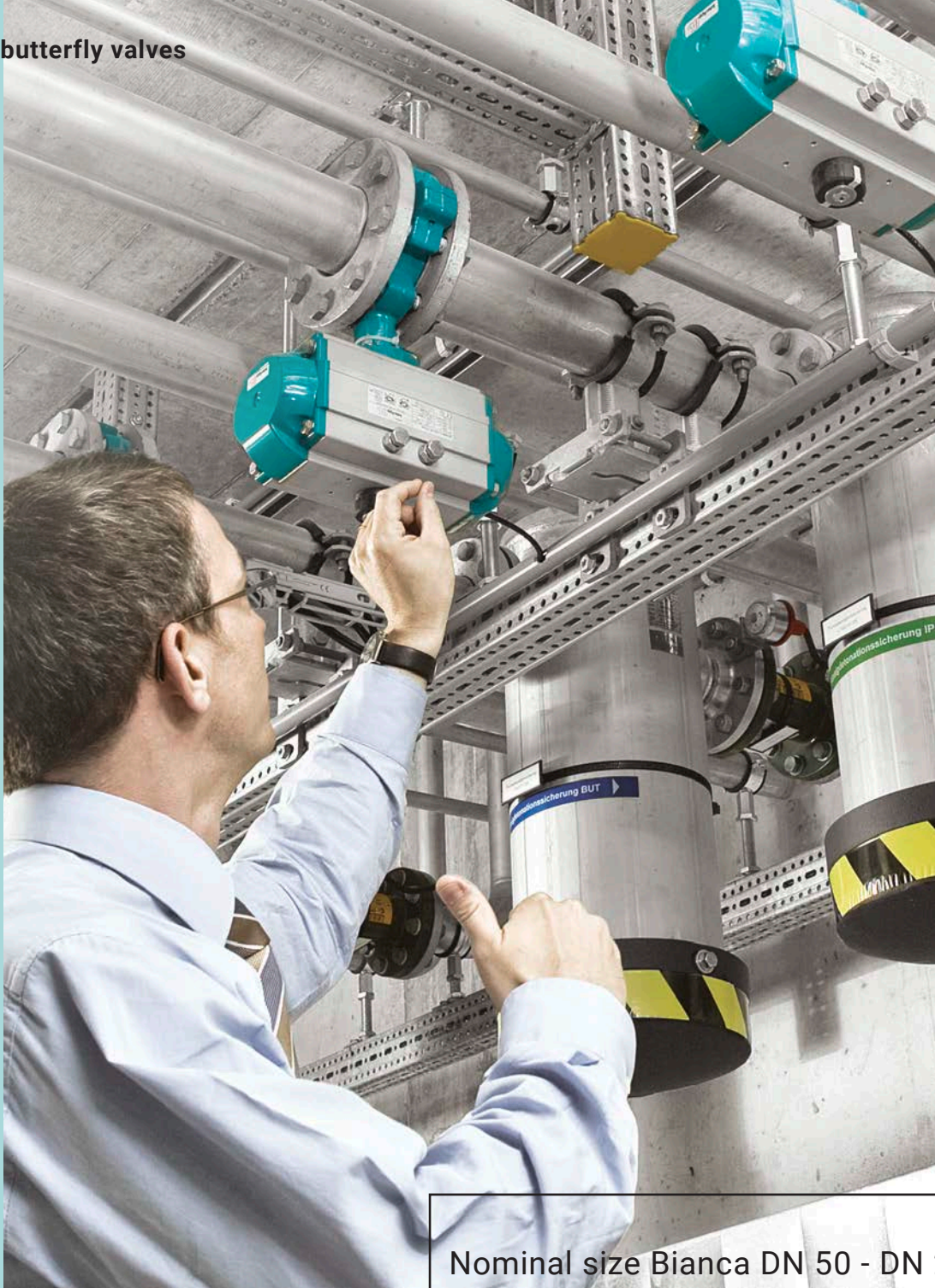
PFA conductive

PFA

**Stainless steel polished
Ra 0.4 / Fe < 1%**

Maximum safety for the production of active pharmaceutical ingredients

—
With InterApp butterfly valves
Bianca



Nominal size Bianca DN 50 - DN 200
FDA compliant
Execution for explosive atmospheres



Bachem is an independent, technology-based, public biochemicals company providing full service to the pharma and biotech industry. Bachem specialises in the process development and the manufacturing of peptides and complex organic molecules as active pharmaceutical ingredients (APIs), as well as innovative biochemicals for research purposes.

In addition to sterile processes and biotechnology, pharmaceuticals are often produced by conventional chemical processes. Solvents, for example, are used in the preparation of raw materials for both extraction and for various reactions. Once spent, these solvents have to be retrieved and either recycled or disposed of.

In 2008, Bachem AG built a new solvent tank depot for both fresh and spent solvents. The tanks in this depot were fitted with ball valves and Bianca butterfly valves made by InterApp.

Solvents are often corrosive and, in certain aggregate conditions, explosive. The ball valves and butterfly valves were installed specifically for use in the ex-zo-
ne (outside: Zone 1 IIB T4 / inside: Zone 0 IIB T4).

The liner materials used on the tanks containing fresh solvents, moreover, had to meet the requirements of the American Food and Drug Administration (FDA).

This kind of application calls for maximum safety and reliability. Type BVC21 compact ball valves with hand levers and pneumatic actuators were used for the fresh solvent tanks.

Bianca LUG-type butterfly valves from DN 50 to DN 200 with 316L stainless steel discs and a conductive PTFE liner were used for the larger apertures – from DN 50 to DN 200. These valves are fitted operated either with a handlever or with a pneumatic actuator and in some cases with a feedback unit. The liner, which has contact with the product, complies with the FDA requirements.

Bianca butterfly valves were used for the spent solvent tanks as well, but this time with a conductive PFA overmoulded disc with the same actuation as those used on the fresh solvent tanks.

InterApp valves fulfilled customer needs according to FDA conformity and compliant to the ATEX requirements.

Designed and built for shut-off and control of corrosive fluids as well as high-purity applications.



Oil & Gas

For auxiliary processes such as the processing of additives, Bianca is the right choice thanks to its exceptional chemical resistance and robustness.



Life Science

Safety, high purity and sterility are paramount when it comes to applications within the life science segment.



Water Treatment

Bianca high purity is used where absolute purity is essential and the smallest impurities have to be avoided, like in the semiconductor industry.



Power Generation

Products that are superior in terms of durability, performance, reliability and resistance in slightly abrasive conditions.



Mining & Slurry

Applications such as acid and solvent extraction of metals and aggressive slurries.



Steel Industry

For highly corrosive processes, such as in pickling lines, only fluoroplastomer lined butterfly valves can be used.



Chemical Processing

Reliability and safety in demanding applications such as production, distribution and surface treatment.

Headquartered in Switzerland and part of the AVK Group, InterApp develops, manufactures and markets valves and related accessories. As a customer-focused technology company, we supply comprehensive flow-control solutions to the most demanding industries around the world.

InterApp AG reserves the right to change or remove products or services from its range at any time and without prior notification or obligation. InterApp AG does not assume any liability for consequences resulting from the use of this document. There is no guarantee that the information provided here is complete, accurate or up to date.

© 2019 InterApp AG. All rights reserved.

The duplication of this document or a part thereof is only permitted with prior written consent from the owner of the copyrighted material.

interapp.net

